

DT-1

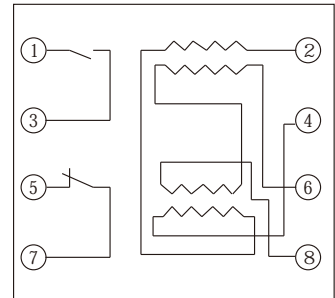
DT 1

DT 1/L

JK-11K H Q

3

2-4 8-6



-
-
-
-
-
-
-
-
-
-
-

1

20° - 40°

0.8

3VA

2kV 50Hz

1min,

($\tau=5ns$)

U 220V, I 2A 50W

($\cos \phi=0.4$)

, U 220V, I 2A 250VA

110%

40

65

DT-1/L

FZ-3

1500 (0.1A)

40

110nA

65

1x 104

1kg

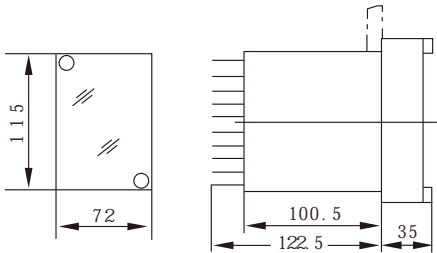
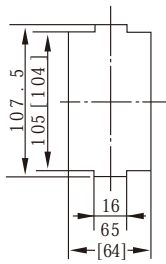
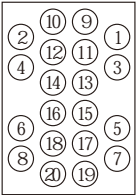
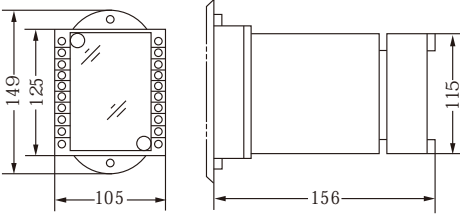
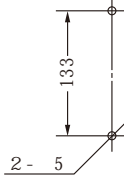
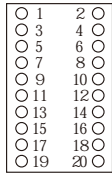
1.2kg

	V		
DF-1/90	1	60V	2 4
	2	30V	8 6
DF-1/120	1	60V	2 4
	2	60V	8 6
DF-1/130	1	100V	2 4
	2	30V	8 6

	V		
DF-1/160	1	100V	2 4
	2	60V	8 6
DF-1/200	1	100V	2 4
	2	100V	8 6
DF-1/L	1	0.1A	2 4
	2	0.1A	8 6



0.2mm-0.3mm

3	A11K (JK-11K)			
3	A11Q JK-11Q			

聚仁电力科技有