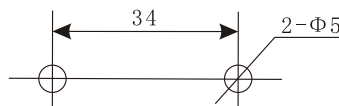
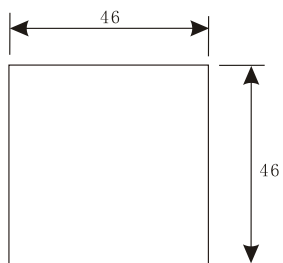
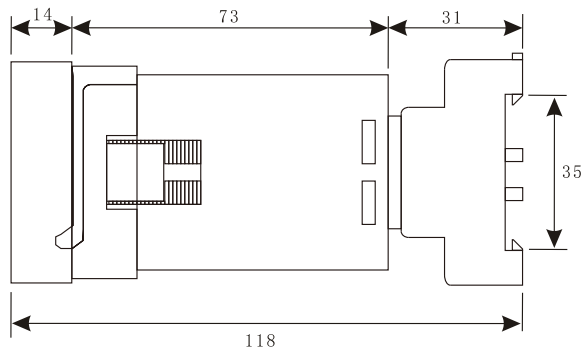
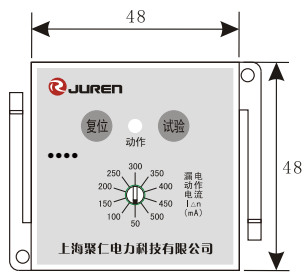
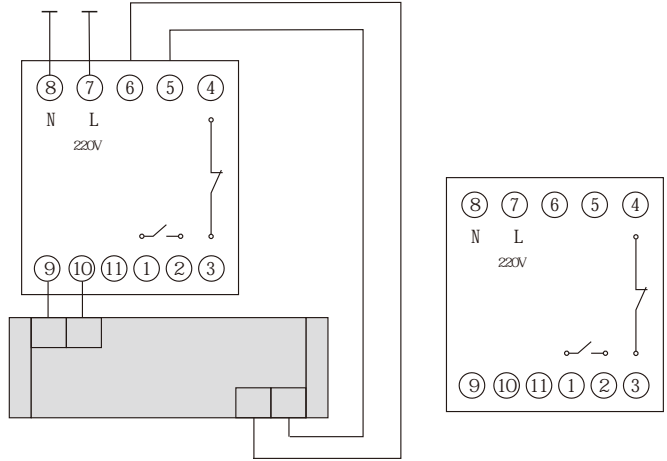
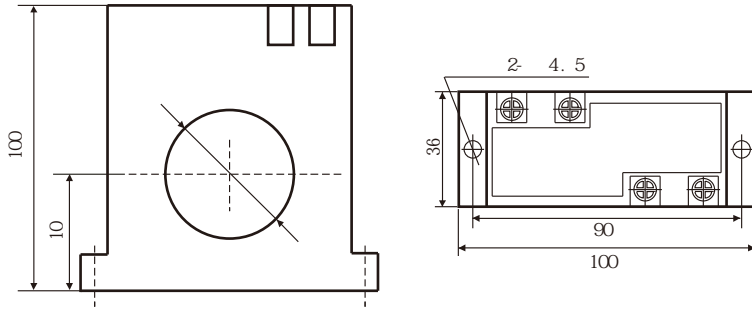






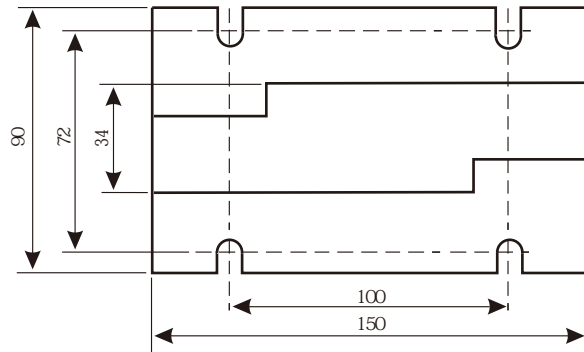
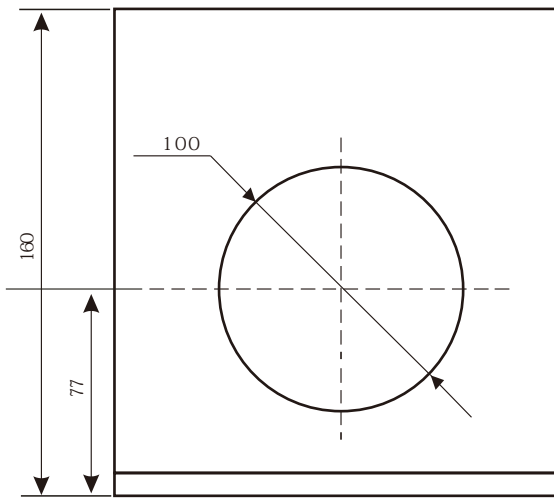
I A+i B+i C+i N O.



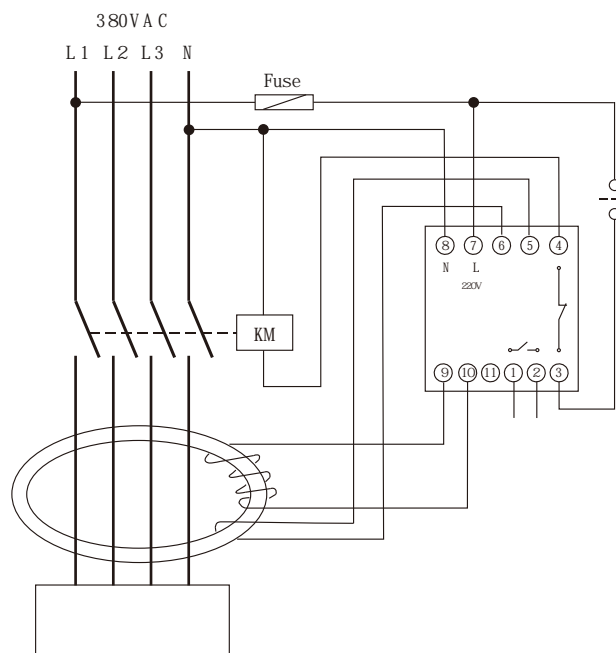


| RLJ  |     | A  | B   |
|------|-----|----|-----|
| 100F | 25  | /  | /   |
| 200F | 45  | /  | /   |
| 400F | 75  | 65 | 125 |
| 630F | 100 | 77 | 150 |

RT-L  $\frac{1}{2}$  K



RT-L3K



ABOUT US  
**JUREN POWER**

---

1999

